

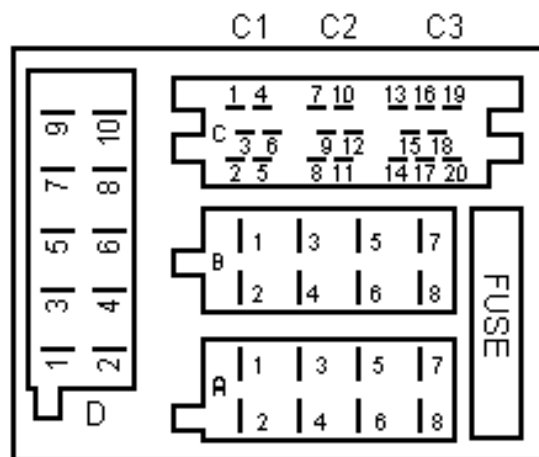
Quick Start Guide Bluetooth Music Receiver WM-BT16

Compatible with the following models:

- SMART Fortwo (BR451) Year 2007 to Facelift 09/2010 (without CAN bus system)

Connect the adapter:

1. Remove the radio (on the Internet you will find various instructions on how to do this).
2. Before disconnecting the plugs from the radio, make sure that the radio code is available to you as you will need it for the radio after the power cut.
3. Insert the yellow plug of the adapter into chamber C1 (marked C1 in the picture).
4. If necessary, remove the yellow plug from the yellow-green-blue plug combination and attach the yellow plug of the WM-BT16 there instead.
5. If you have installed a black 20-pin connector in the vehicle, you also need the adapter WM-4693 (mini-ISO adapter / extension). This can be ordered in our online shop at www.watermark-germany.de.



6. Now connect the harness between the car and the car radio.
7. Establish a Bluetooth connection by enabling Bluetooth pairing and searching for the Bluetooth device ``WM``. You should then set the volume to full volume on the connected device.
8. Before reinstalling the radio, test the function of the adapter. Switch on the AUX function with the CD button or via the menu.

For info!

AUX must be unlocked and selectable on the radio. If this is not the case, activation in a specialist workshop is required.

Has something been left unclear? You can reach us MO-FR,
from 8-17 o'clock under the E-Mail: [service @ watermark-germany.de](mailto:service@watermark-germany.de)